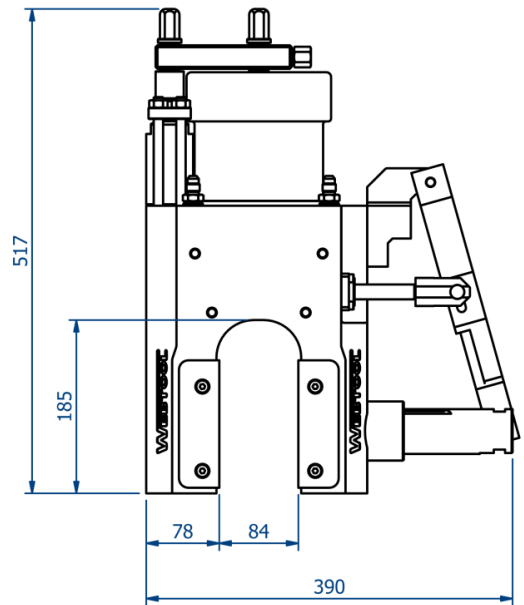
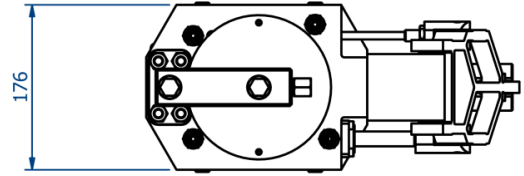


RCV75HD - Wire Rope Cutter Part No - 980235



- Heavy duty wire rope cutter designed for use in severe working conditions
- Hydraulically operated anvil for easy ROV deployment
- Lightweight aluminium construction
- Long blade life ensures that tool maintenance is kept to a minimum
- Integrated interlock ensures that the blade cannot activate until the anvil is fully deployed
- Integrated hydraulic intensifier and internal relief valve
- Cutting capacity – Maximum $\varnothing 75\text{mm}$ wire rope of 1960N/mm² grade
- Can be used at any water depth
- Suitable for cutting wire rope, cables and umbilicals
- 210 bar max input pressure
- Approx weight in air – 43kg
- Approx weight in water – 30.5kg
- Standard tool is shown above. Bespoke and custom designs to suit special applications are available on request



PHONE: 1.416.234.8671 **FAX:** 1.416.237.9279

EMAIL: info@webtool-subsea.com

61 Advance Rd., Unit 7, Toronto,
Ontario, Canada M8Z 2S6

WEBTOOL-SUBSEA.COM

allspeeds

Webtool is a Trademark of Allspeeds Ltd
Designed and Manufactured in the UK