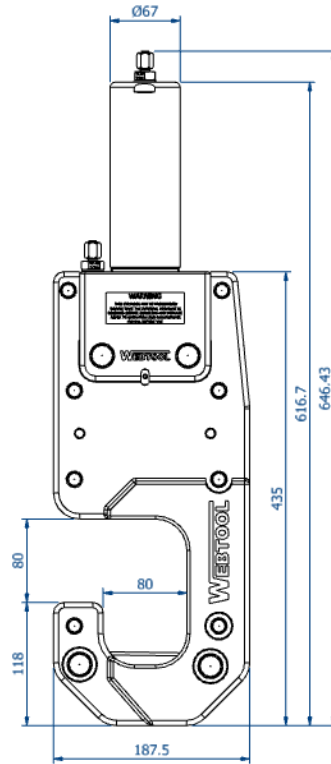
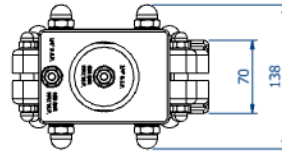


## SL80 - Softline Cutter Part No - 980248



- Heavy duty hydraulically operated soft and fibre line cutting tool
- Lightweight aluminium and stainless steel construction
- Diver or ROV operable design
- Quick and efficient operation
- Long blade life ensures that tool maintenance is kept to a minimum
- Cutting capacity – Maximum  $\varnothing 80$ mm fibre rope
- Can be used at any water depth
- Maximum operating pressure 690 bar
- Approx weight - 14.2 kg
- Standard tool is shown above. Bespoke and custom designs to suit special applications are available on request



**PHONE:** 1.416.234.8671 **FAX:** 1.416.237.9279

**EMAIL:** info@webtool-subsea.com

61 Advance Rd., Unit 7, Toronto,  
Ontario, Canada M8Z 2S6

**WEBTOOL-SUBSEA.COM**



Webtool is a Trademark of Allspeeds Ltd  
Designed and Manufactured in the UK