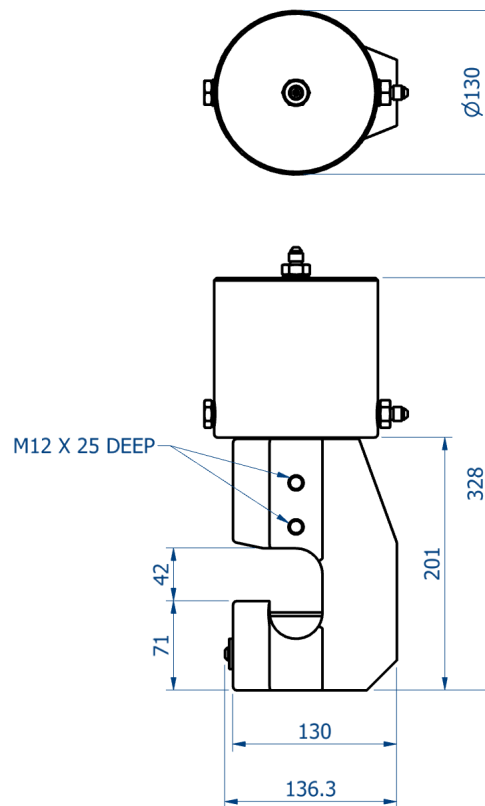


## RCO40LP - Wire Rope Cutter Part No - 980503



- Heavy duty wire rope cutter designed for use in severe working conditions
- Open sided design allows for easy positioning of the cutter on the cable
- Blade shaped anvil cuts higher grade cable
- Corrosion resistant stainless steel body with Nitrotec coated alloy steel cylinder
- Long blade and anvil life ensures that tool maintenance is kept to a minimum
- Ideal for operation in confined spaces
- Cutting capacity – Maximum  $\varnothing 38\text{mm}$  wire rope of  $1960/\text{mm}^2$  grade
- Can be used at any water depth
- Suitable for cutting wire rope, cables and umbilicals
- 220 bar maximum input pressure
- Supplied with 10k rated JIC No 4 fittings
- Approx weight – 22kg
- Standard tool is shown above. Bespoke and custom designs to suit special applications are available on request



**PHONE:** 1.416.234.8671 **FAX:** 1.416.237.9279

**EMAIL:** info@webtool-subsea.com

61 Advance Rd., Unit 7, Toronto,  
Ontario, Canada M8Z 2S6

**WEBTOOL-SUBSEA.COM**



Webtool is a Trademark of Allspeeds Ltd  
Designed and Manufactured in the UK