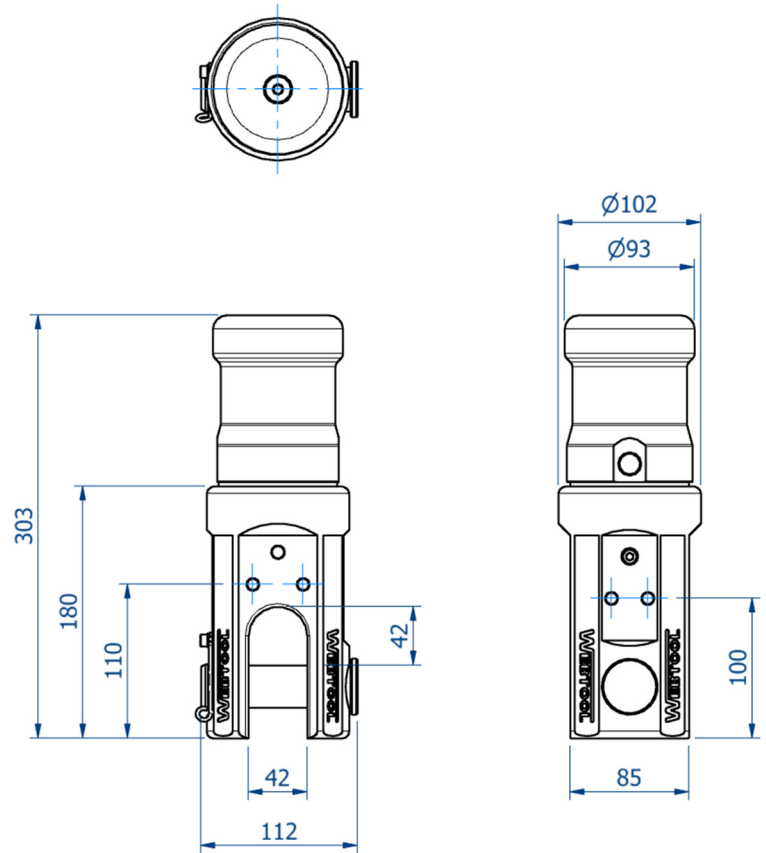


## Emergency Softline Cutter (38mm) Part No – 980540



- Heavy duty emergency cutter designed for use in severe working conditions
- Closed anvil design keeps the rope captive and ready to cut at all times
- DLC coated stainless steel blade for maximum offshore life
- Corrosion resistant stainless steel body with Nitrotec coated alloy steel cylinder
- Long blade and anvil life ensures that tool maintenance is kept to a minimum
- Large hydraulic ports allow fast actuation
- Can be used topside or subsea at any water depth
- Cutting Capacity – Softline or fibre rope (including Dyneema and Spectra up to 38mm (1.5") diameter)
- Operating pressure – 190 to 210 bar (2750 to 3000 psi)
- Hydraulic ports - 1/2" BSP feed, 3/8" BSP return
- 8 off M10 mounting holes
- Cut time - 1 second with 9 litre/min supply
- Approx weight in air - 12kg
- Approx weight in water - 10.5kg
- Swept volume cut stroke - 0.15 litre
- Swept volume return stroke - 0.085 litre